

Inquiry form single-fluted gun drills

solid carbide

Ø0,9 - 12,0mm Flute length max. 500mm



Quantity

_____ pcs.

similar to
standard item _____

Coating

bright finish

TiN

TiAlN

AlTiN nano

AlTiN+

_____ (other coating)

Material

Material
to be cut _____

Tensile strength/
hardness: _____

N/mm²
HRC

Machine type

Deep hole
drilling machine

Conventional
machining center
(max. 80xD)

Deep hole
drilling oil

Soluble oil

Coolant Pressure

_____ bar

Driver

none

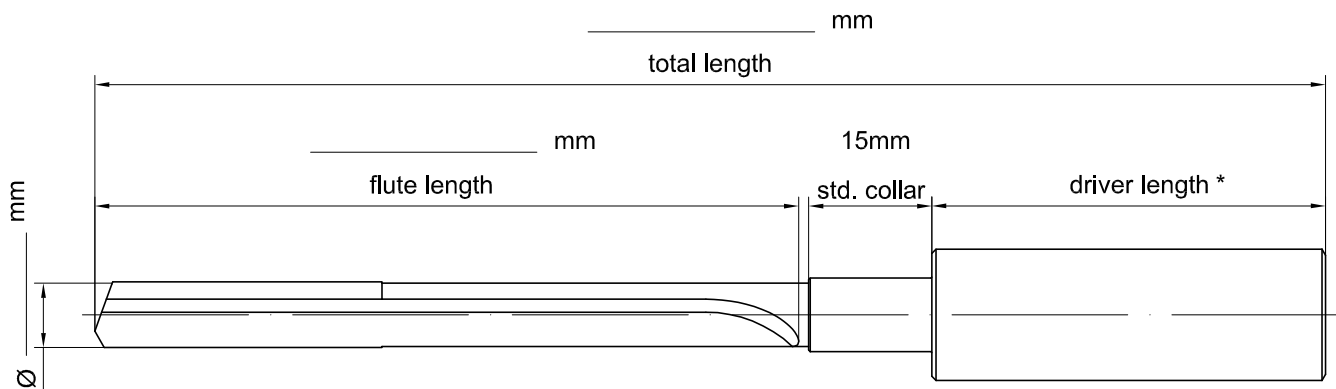
Code no. _____ (* see driver chart)

Workpiece

Drilling depth _____ mm

Hole tolerance _____

Dimensions



Contact

Company: _____

Contact person: _____

Telephone/Fax: _____

Date: _____

Email address: _____